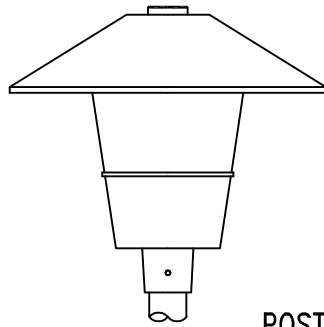


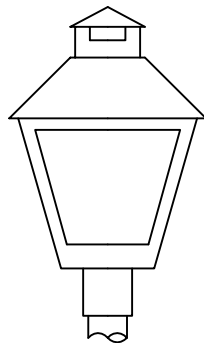
GE M-250R2 HPS LUMINAIRE  
WITH CUTOFF OPTICS  
(FLAT GLASS)

DAVID-TYPE LUMINAIRE



GE P17M POSTMOUNT LUMINAIRE

POST-TOP LUMINAIRE



GE T10C TOWN AND COUNTRY  
LUMINAIRE

POST-TOP LUMINAIRE

NOTES:

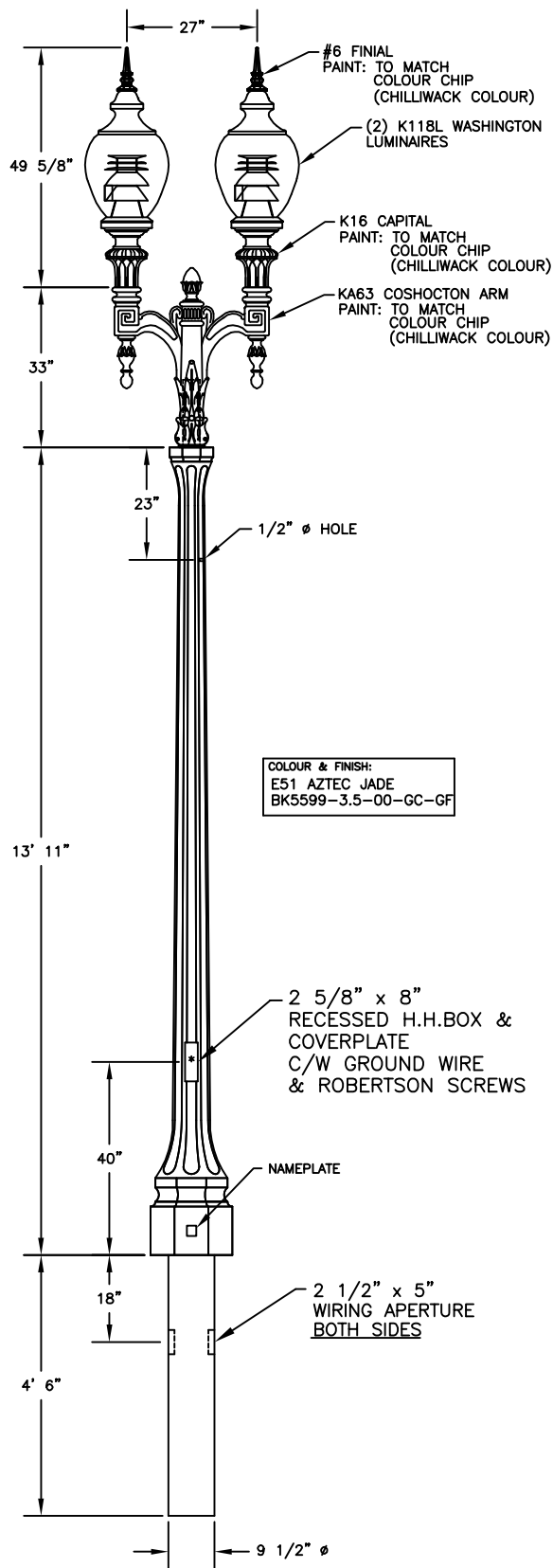
1. LUMINAIRES PROVEN EQUAL TO SHOWN TYPES WILL BE ACCEPTED.

STREET LIGHT LUMINAIRES



**CITY OF  
CHILLIWACK**

REVISED:		APPROVED:
APPROVED:		DWG. NO.
DATE:	05/08	DE-1
DRAWN:	SEH	



**LUMINAIRE SPECIFICATIONS**

CATALOGUE NO.: K118-LPR-III-100(MOG)  
-MH-120-K16

QUANTITY: \_\_\_\_\_

GLOBE MAT'L: POLYCARBONATE

IES CLASSIFIC.: TYPE III

WATTAGE: 100W

LIGHT SOURCE: PULSE START METAL HALIDE

LINE VOLTAGE: 120V

POLE ADAPTOR: K16 (PAINT: CHIP MATCH)

BALLAST: CONSTANT WATTAGE ISOLATED

**POLE SPECIFICATIONS**

CATALOGUE NO.: KT14-G-E51 C/W  
140-35/140

QUANTITY: \_\_\_\_\_

SECTION: FLUTED OCT.

COLOUR: AZTEC JADE

FINISH: ETCHED

POLE TOP: 9" FL/FL

POLE BUTT: 9 1/2"  $\phi$

POLE LENGTH: 18' 5"

APPROX. WGT.: 1370 lbs.

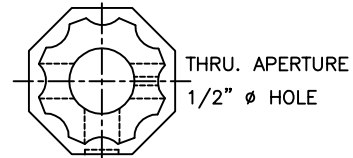
**ARM SPECIFICATIONS**

CATALOGUE NO.: KA63

QUANTITY: \_\_\_\_\_

MATERIAL: CAST ALUMINUM

PAINT: CHIP MATCH  
- CHILLIWACK COLOUR



NAMEPLATE  
H.H.BOX  
TOP VIEW



**KING LUMINAIRE**  
COMPANY INC.

840 WALKER'S LINE, P.O. BOX 7,  
BURLINGTON, ONTARIO, CANADA L7R 3X9

P.O. BOX 266 JEFFERSON, OHIO  
1153 STATE ROUTE 46N  
U.S.A. 44047

**HERITAGE LIGHT - DOUBLE**



REVISED: 05/08

APPROVED:

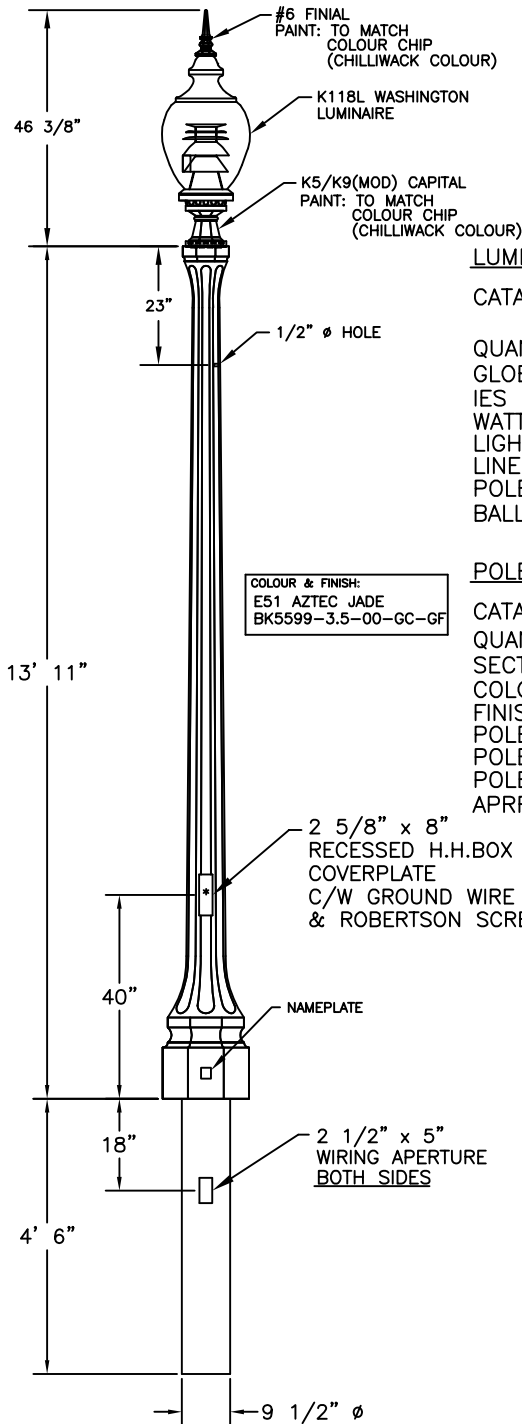
APPROVED:

DATE:

DRAWN:

DWG. NO.

DE-2



LUMINAIRE SPECIFICATIONS

CATALOGUE NO.: K118-LPR-III-150(MOG)  
-MH-120-K5/K9(MOD)

QUANTITY: \_\_\_\_\_

GLOBE MAT'L: POLYCARBONATE

IES CLASSIFIC.: TYPE III

WATTAGE: 150W

LIGHT SOURCE: PULSE START METAL HALIDE

LINE VOLTAGE: 120V

POLE ADAPTOR: K5/K9 (MOD) (PAINT: CHIP MATCH)

BALLAST: CONSTANT WATTAGE ISOLATED

POLE SPECIFICATIONS

CATALOGUE NO.: KT14-G-E51 S/F K5

QUANTITY: \_\_\_\_\_

SECTION: FLUTED OCT.

COLOUR: AZTEC JADE

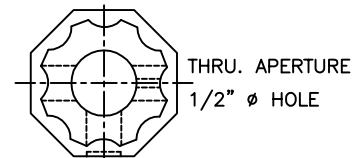
FINISH: ETCHED

POLE TOP: 9" FL/FL

POLE BUTT: 9 1/2"  $\phi$

POLE LENGTH: 18' 5"

APPROX. WGT.: 1370 lbs.



NAMEPLATE  
H.H.BOX  
TOP VIEW



**KING LUMINAIRE**  
COMPANY INC.

840 WALKER'S LINE, P.O. BOX 7,  
BURLINGTON, ONTARIO, CANADA L7R 3X9

P.O. BOX 266 JEFFERSON, OHIO  
1153 STATE ROUTE 46N  
U.S.A. 44047

HERITAGE LIGHT - SINGLE

REVISED: 05/08

APPROVED:

APPROVED:

DWG. NO.

DATE:

DE-3

DRAWN:

